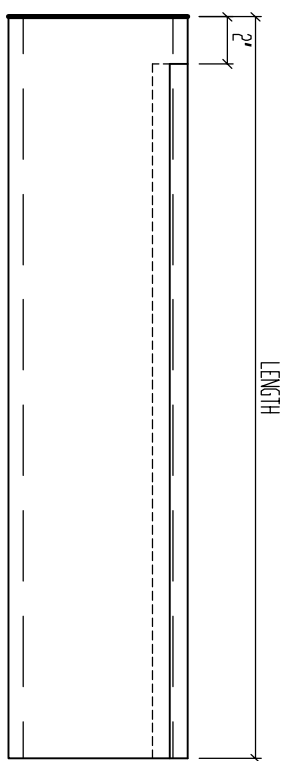
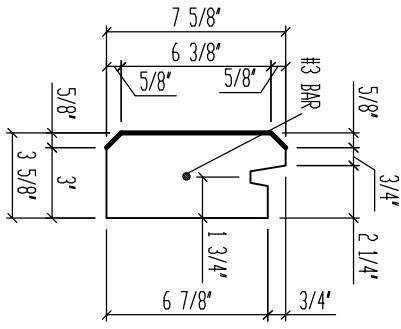


CAST STONE SCHEDULE

MOLD NUMBER	MARK NO.	QUANTITY	WIDTH	HEIGHT	LENGTH	VOL (FT ³)	WT (lbs)	REBAR
	A1	1	3 5/8"	7 5/8"	27 3/8"	.40	54	#3 X 23"
	A16	3	3 5/8"	7 5/8"	31 13/16"	.46	62	#3 X 27"
	A39	1	3 5/8"	7 5/8"	43 5/8"	.63	86	#3 X 39"



RELEASED FOR PRODUCTION



Architectural Ornamental Castings, Inc.
 125 North Blanchard St.
 Valdosta, Georgia 31601
 (229)241-7407/241-7408 Fax
 E-mail: aocinc@aocinc.com

PROJECT: **CONCORD P.D.**
 TITLE: **BAND**

DATE: 9/1/04
 SCALE: NTS
 DRAWN BY: STRIPLING DESIGNS
 CHECKED BY:
 PROJECT NO. 05012

DRAWING NO. **A1**

QUANTITY: